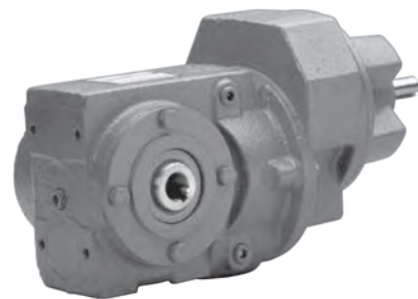
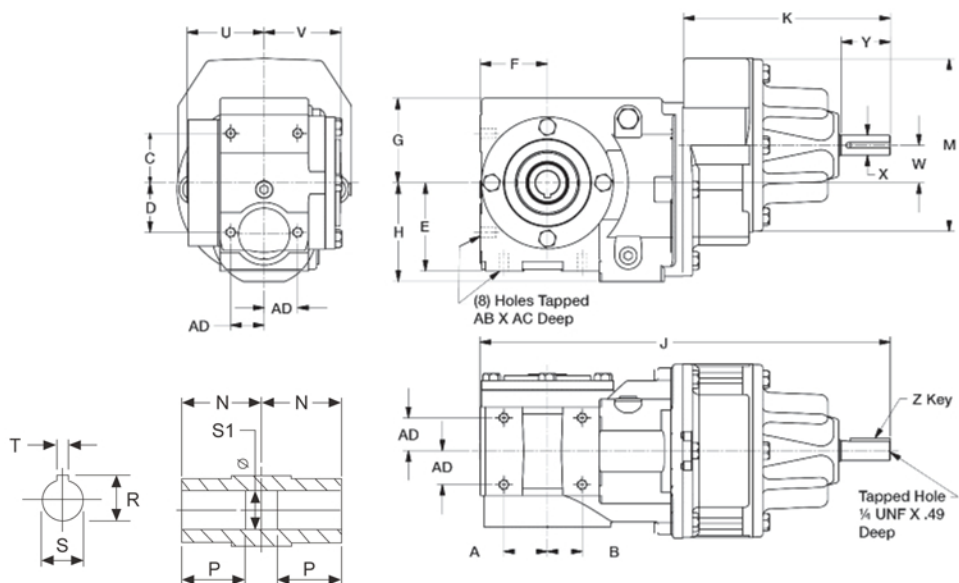


800 Series Right Angle Helical-Worm Gear Drives

CALL NOW 800-985-6929

S800BR Series; Non-Flanged; Triple Reduction

Basic Model



SIZE	A	B	C	D	E	F	G	H	J	K	M	N	P
S833BR	1.38	1.10	1.57	1.57	2.80	2.13	2.68	3.13	12.99	6.57	5.51	2.44	1.25
S843BR	1.38	1.77	2.09	2.56	3.39	2.52	2.95	3.66	13.74	6.57	5.51	2.56	1.25
S853BR	1.77	2.17	2.56	3.03	3.78	2.68	3.46	4.36	14.53	6.57	5.51	2.76	1.38
S863BR	2.20	2.60	2.99	3.78	4.72	3.54	3.94	5.49	17.17	6.97	5.51	3.54	2.00

SIZE	R	S +.001 -.000	S1	T	U	V	W	X +.000 -.001	Y	Z - KEY		AB	AC	AD
										Sq.	Lgth.			
S833BR	.84	.7500	.76	.19	2.76	2.24	1.20	.625	1.57	.19	1.28	5/16-18	.59	1.06
S843BR	1.37	1.250	1.26	.25	2.93	2.56	.89	.625	1.57	.19	1.28	3/8-16	.79	1.10
S853BR	1.53	1.375*	1.39	.31	2.76	2.76	.89	.625	1.57	.19	1.28	3/8-16	.79	1.34
S863BR	1.67	1.500*	1.51	.38	3.54	3.17	1.16	.625	1.57	.19	1.28	7/16-14	.79	1.57

Output shaft rotation, relative to input shaft rotation, is identical for double reduction and opposite for triple reduction.

Option kit dimensions on pages 222 & 223.

* Maximum bore size is 1.625, contact factory for availability.