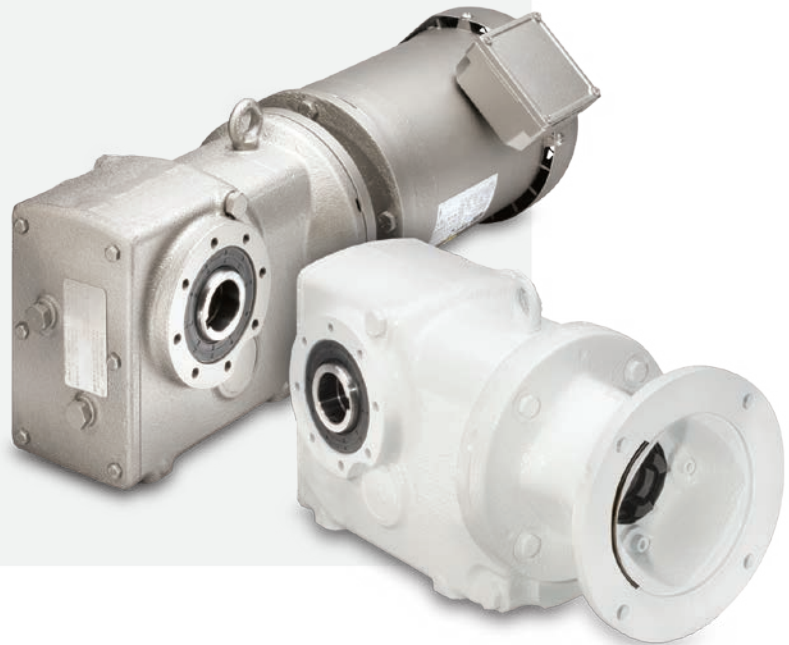




**Series 2000**  
**Right Angle**  
**Helical Bevel**  
**Gear Drives &**  
**Gear Motors**



*An Altra Industrial Motion Company*



## Introducing new gearing solutions from Boston Gear

This well recognized Altra Industrial Motion brand has utilized its gearing expertise to offer the innovative Series 2000 product line. Boston Gear products have a reputation for superior engineering, quality manufacturing and reliable performance. As an industry leader, we have extensive experience and application knowledge in industries including material handling, food processing, packaging, bottling, and metals.

For more information about Series 2000 Gear Drives or Gear Motors call:  
**888-243-3447**



# Series 2000 Right Angle Helical Bevel Gear Drives and Gear Motors

**LOADED WITH UNIQUE PERFORMANCE AND CONVENIENCE FEATURES TO MEET A WIDE VARIETY OF APPLICATION REQUIREMENTS.**

**We asked OEMs, end users and distributors what mattered most when it came to gear motor design. Their responses helped guide us in the development of the new Series 2000 Gear Motor product line.**

### Series 2000 Advantages

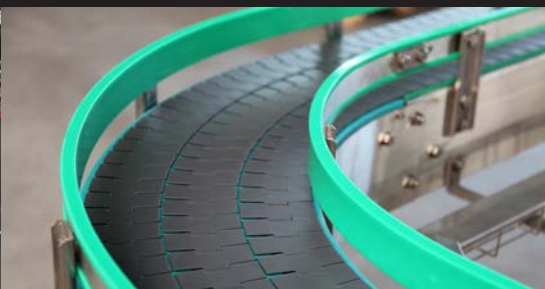
- **Altra's Competitive Displacement Product Offering**
  - Designed with critical dimensions equivalent to select competitive gear drives
- **Enhanced Performance**
  - High torque with ratings in accordance with AGMA standards provide long life and potential downsizing
  - Tested to an effective 25,000 hours. Proven ratings vs. theoretical
- **Design Flexibility**
  - Large assortment of shaft options for more application flexibility
  - Variety of optional hollow bore sizes available for quick delivery
  - Variety of input styles including NEMA and IEC C-FACE motor mounts
- **Fast and Easy Installation**
  - Unique mounting registers for quick, precision alignment
  - Keyless tapered bushing provides quick and secure installation of drive shaft
- **Low Maintenance**
  - Unique rounded surfaces allow for easier cleaning
  - Premium acrylic paint emulsion pigmented with alloy 316 stainless steel flake provides high corrosion & abrasion resistance for long term durability
  - Integrated O-rings at mounting interfaces provide high leak and ingress resistance
  - Automatic entrapment of wear debris for longer life
  - Large diameter oil fill/drain holes for fast oil changes
  - Synthetic lubrication extends gear life

**SERIES 2000 GEAR DRIVES AND GEAR MOTORS ARE DIMENSIONAL DROP-IN REPLACEMENTS FOR SEW EURODRIVE™ KA SERIES PRODUCTS**

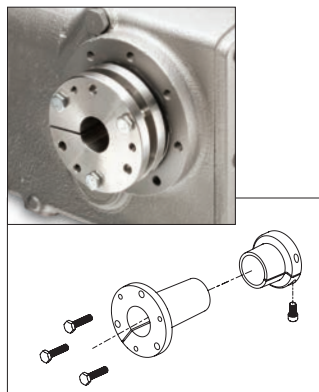
### Application Examples:

- Cheese slicers
- Dairy and bakery mixers
- Spiral heating and cooling racks
- Potato chip salter
- Produce drying bins (tumblers)
- Meat forming (links, patties, grinding)
- Meat carcass processing
- Bottling lines
- Unit conveyors
- Palletizers

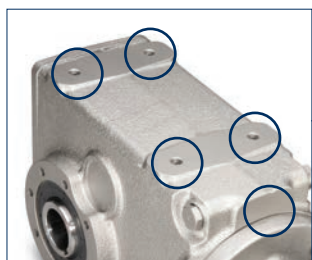
**Call 1-888-243-3447  
or visit [www.helical2000.com](http://www.helical2000.com)**



## C-face and Projecting Input Shaft



Optional unique keyless tapered bushing provides longer life and faster installation  
Stainless steel shafts also available



Unique mounting registers allow for quick precision alignment



Unique rounded housing surfaces for easier cleaning

Unique Two-Tuff premium acrylic paint (standard)

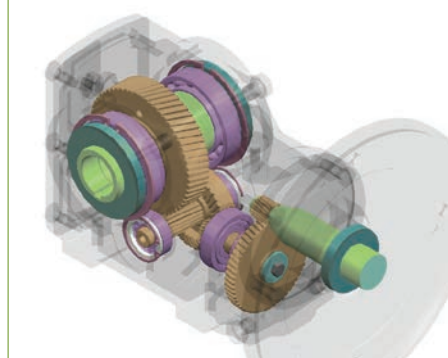
Washdown epoxy paint (optional)

High-efficiency synthetic oil (Standard)

Larger diameter oil fill/drain holes for faster oil changes

NEMA or IEC C-Face motor input with 3-Jaw coupling

Integrated O-rings



### Energy Efficient Design

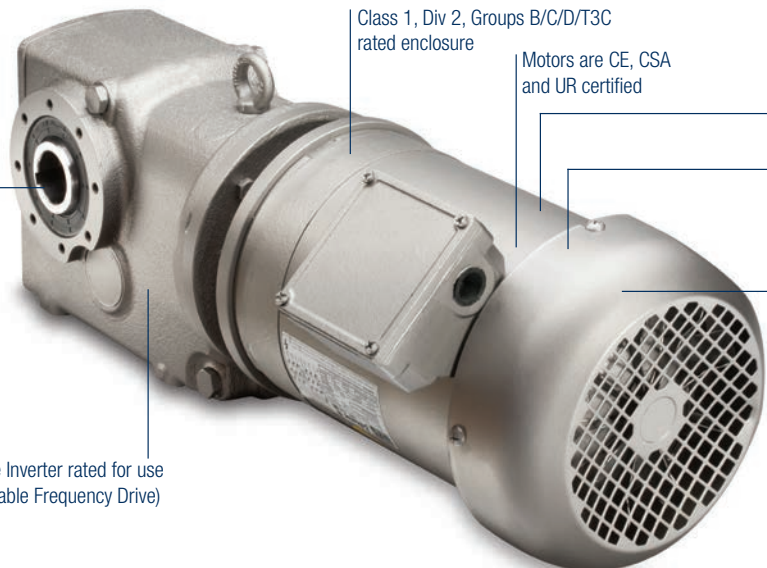
With efficiency of 98% per gear mesh, Series 2000 helical bevel reducers are ideal for use in applications with:

- continuous or high duty cycle operations
- high-ratio reduction
- limited access applications where long life is a necessity



Projecting input shaft and stainless steel shafts available

## Integral Gear Motors



Optional output flange available on C-face or integral design models

Gear motors are Inverter rated for use with a VFD (Variable Frequency Drive)

Class 1, Div 2, Groups B/C/D/T3C rated enclosure

Motors are CE, CSA and UR certified

Motors meet or exceed EISA 2007 efficiency requirements

Highest quality bearings ensure long life

Specially designed fans and fan covers provide quieter operation

**Altra Industrial Motion**

All Customer Service phone numbers shown in bold&gt;

**Electromagnetic Clutches and Brakes****Warner Electric***Electromagnetic Clutches and Brakes*New Hartford, CT - USA  
**1-800-825-6544***For application assistance:*  
1-800-825-9050St Barthelemy d'Anjou, France  
**+33 (0) 2 41 21 24 24***Precision Electric Coils and Electromagnetic Clutches and Brakes*Columbia City, IN - USA  
**1-260-244-6183****Matrix International***Electromagnetic Clutches and Brakes, Pressure Operated Clutches and Brakes*Brechin, Scotland  
**+44 (0) 1356 602000**New Hartford, CT - USA  
**1-800-825-6544****Inertia Dynamics***Spring Set Brakes; Power On and Wrap Spring Clutch/Brakes*New Hartford, CT - USA  
**1-800-800-6445****Linear Products****Warner Linear***Linear Actuators*Belvidere, IL - USA  
**1-800-825-6544***For application assistance:*  
1-800-825-9050St Barthelemy d'Anjou, France  
**+33 (0) 2 41 21 24 24****Couplings****Ameridrives Couplings***Mill Spindles, Ameriflex, Amerisc*Erie, PA - USA  
**1-814-480-5000***Gear Couplings*San Marcos, TX - USA  
**1-800-458-0887****Bibby Turboflex***Disc, Gear, Grid Couplings, Overload Clutches*Dewsbury, England  
**+44 (0) 1924 460801**Boksburg, South Africa  
**+27 11 918 4270****TB Wood's***Elastomeric Couplings*Chambersburg, PA - USA  
**1-888-829-6637** – Press #5*For application assistance:*  
1-888-829-6637 – Press #7*General Purpose Disc Couplings*San Marcos, TX - USA  
**1-888-449-9439****Ameridrives Power Transmission***Universal Joints, Drive Shafts, Mill Gear Couplings*Green Bay, WI - USA  
**1-920-593-2444****Huco Dynatork***Precision Couplings and Air Motors*Hertford, England  
**+44 (0) 1992 501900**Chambersburg, PA - USA  
**1-800-829-6637****Lamiflex Couplings***Flexible Couplings, Bearing Isolators, and Coupling Guards*São Paulo, SP - Brasil  
**(11) 5679-6533****Heavy Duty Clutches and Brakes****Wichita Clutch***Pneumatic Clutches and Brakes*Wichita Falls, TX - USA  
**1-800-964-3262**Bedford, England  
**+44 (0) 1234 350311****Twiflex Limited***Caliper Brakes and Thrusters*Twickenham, England  
**+44 (0) 20 8894 1161****Industrial Clutch***Pneumatic and Oil Immersed Clutches and Brakes*Waukesha, WI - USA  
**1-262-547-3357****Gearing****Boston Gear***Enclosed and Open Gearing, Electrical and Mechanical P.T. Components*Charlotte, NC - USA  
**1-800-825-6544***For application assistance:*  
1-800-816-5608**Bauer Gear Motor***Geared Motors*Esslingen, Germany  
**+49 (711) 3518 0**Somerset, NJ - USA  
**1-732-469-8770****Nuttall Gear and Delroyd Worm Gear***Worm Gear and Helical Speed Reducers*Niagara Falls, NY - USA  
**1-716-298-4100****Overrunning Clutches****Formsprag Clutch***Overrunning Clutches and Holdbacks*Warren, MI - USA  
**1-800-348-0881** – Press #1*For application assistance:*  
1-800-348-0881 – Press #2**Marland Clutch***Roller Ramp and Sprag Type Overrunning Clutches and Backstops*South Beloit, IL - USA  
**1-800-216-3515****Stieber Clutch***Overrunning Clutches and Holdbacks*Heidelberg, Germany  
**+49 (0) 6221 30 47 0****Belted Drives and Sheaves****TB Wood's***Belted Drives*Chambersburg, PA - USA  
**1-888-829-6637** – Press #5*For application assistance:*  
1-888-829-6637 – Press #7**Engineered Bearing Assemblies****Kilian Manufacturing***Engineered Bearing Assemblies*Syracuse, NY - USA  
**1-315-432-0700***For information concerning our sales offices in Asia Pacific check our website*  
[www.altramotion.com.cn](http://www.altramotion.com.cn)[www.bostongear.com](http://www.bostongear.com)701 Carrier Drive  
Charlotte, NC 28216 - USA  
Phone: 704-588-5610  
Fax: 704-588-7181Customer Service:  
800-825-6544  
Application Assistance:  
800-816-5608