

28.83	29.96	35.85	37.79	44.46	49.79	59.61	67.80	72.54	83.69	97.81	106.38
1,854	1,856	1,868	1,871	1,881	1,887	1,898	1,905	1,909	1,917	1,925	1,930
10%	6%	5%	10%	7%	7%	6%	8%	8%	7%	10%	9%

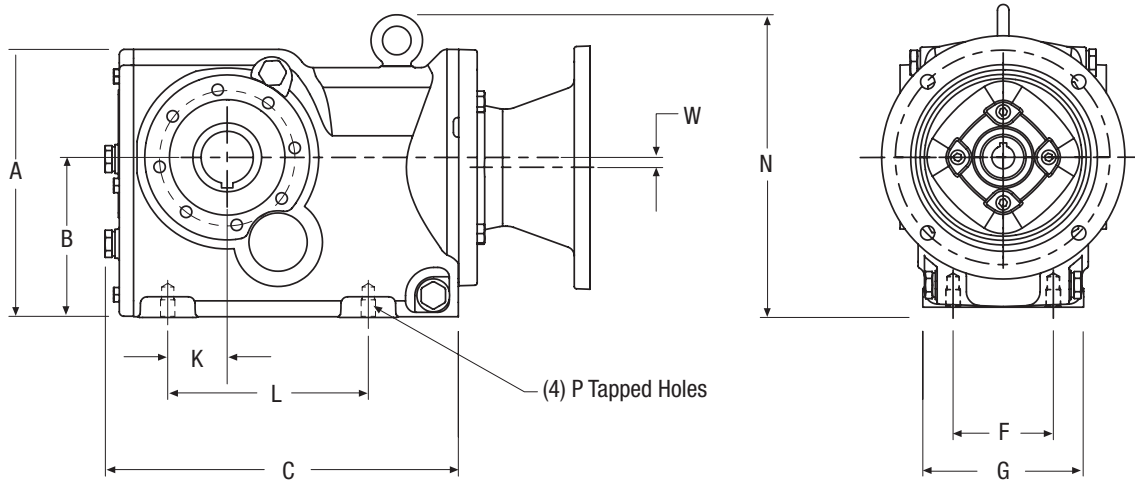
24.42	25.91	29.30	30.23	35.39	39.61	46.41	48.75	56.83	63.30	70.89	75.20	85.12	90.86	104.37	121.48	131.87
3,564	3,572	3,588	3,592	3,612	3,626	3,645	3,651	3,669	3,681	3,694	3,700	3,714	3,721	3,735	3,751	3,759
1%	2%	4%	10%	3%	2%	3%	4%	2%	7%	5%	9%	6%	6%	6%	6%	5%

35.61	38.39	44.32	48.77	56.97	59.67	68.95	76.37	90.04	101.43	108.03	123.54	143.20
7,565	7,546	7,579	7,601	7,635	7,651	7,674	7,696	7,724	7,746	7,751	7,774	7,796
7%	9%	5%	5%	6%	9%	7%	7%	6%	6%	6%	7%	10%

34.84	38.39	40.04	45.16	51.18	58.34	63.71	73.62	76.87	88.08	97.05	113.56	127.32	135.28	154.02	177.76	192.18
13,505	14,027	14,049	14,111	14,173	14,238	14,280	14,348	14,368	14,430	14,473	14,542	14,591	14,616	14,670	14,038	14,384
2%	8%	4%	3%	4%	4%	6%	6%	6%	7%	7%	9%	6%	9%	6%	9%	10%

41.87	47.93	56.55	62.55	70.54	77.89	86.52	96.80	105.13	123.40	139.49	152.36	176.05
40,861	41,234	41,686	41,958	42,281	42,459	41,517	42,392	41,435	41,750	42,155	42,315	37,398
8%	8%	10%	10%	11%	12%	10%	12%	9%	10%	12%	12%	-2%

Boston Gear

Dimensional Comparison

Size	Brand	Model	A	B	C	G	F	L	K	P	W
30	Boston	2033R	6.40	3.94	8.46	4.01	2.36	4.61	1.38	M10	0.33
	SEW	KA37	6.46	3.94	8.27	3.94	2.36	4.61	1.38	M10	0.33
	Nord*	SK92672	6.50	3.94	11.02	6.14	4.72	5.12	1.38	0.43	-2.68
	Dodge	BF38 (flanged)	6.58	3.94	9.21	3.94	2.36	4.61	1.38	M10	0.37
40	Boston	2043R	7.37	4.41	9.71	4.42	2.76	5.51	1.57	M10	0.28
	SEW	KA47	7.28	4.41	9.57	4.33	2.76	5.51	1.57	M10	0.28
	Nord*	SK901	7.64	4.41	9.37	5.59	4.72	5.12	1.38	0.43	0.39
	Dodge	BF48 (flanged)	7.36	4.41	10.37	4.33	2.76	5.51	1.58	M10	0.43
60	Boston	2063R	8.91	5.51	11.12	5.12	3.46	5.98	1.65	M12	0.80
	SEW	KA67	8.90	5.51	10.79	5.12	3.46	5.98	1.65	M12	0.79
	Nord*	SK902	9.29	5.51	11.42	6.77	5.51	4.72	1.18	0.55	0.55
	Dodge	BF68 (flanged)	9.09	5.51	12.15	5.51	3.46	5.98	1.65	M12	0.26
70	Boston	2073R	11.25	7.09	12.91	6.06	4.02	6.69	1.89	M16	1.23
	SEW	KA77	11.26	7.09	12.28	6.06	4.02	6.69	1.89	M16	1.23
	Nord*	SK903	11.61	7.09	12.56	7.87	6.50	5.91	1.57	0.71	0.94
	Dodge	BF88 (flanged)	11.61	7.09	14.64	6.69	4.53	6.69	1.89	M16	0.79
90	Boston	2093R	16.14	10.43	17.56	9.35	6.30	9.77	3.27	M20	1.27
	SEW	KA97	16.30	10.43	17.13	8.90	6.30	9.77	3.27	M20	1.27
	Nord*	SK905	16.73	10.43	18.11	11.53	9.45	9.45	2.95	1.02	1.61
	Dodge	BF128 (flanged)	16.65	10.43	20.77	10.04	7.68	9.76	3.27	M20	0.79

Note: Nord does not have a 'bolt-up' model

