



Special Application Speed Reducers



 **Delroyd**[®]
Worm Gear

An Altra Industrial Motion Company

DELROYD...

Matching Your Requirements

Series BX Conveyor Drive Units

Delroyd BX Series Speed Reducers are specially designed with high overhung load capacities required by the Food and Material Conveying Industries.

The BX Units incorporate the Delroyd involute helicoid thread form which permits simple, accurate gearing adjustments. The extended bearing span allows for higher overhung loads and allows selection of a smaller drive unit for a given load.

Our Standard Drywell Feature provides positive protection against leakage of oil into the output bearings, minimizing the possibility of product contamination.

Delroyd BX Series Conveyor Drives are available in single or double reduction (Helical-Worm or Double-Worm), with the output shaft in the Up or Down configuration.

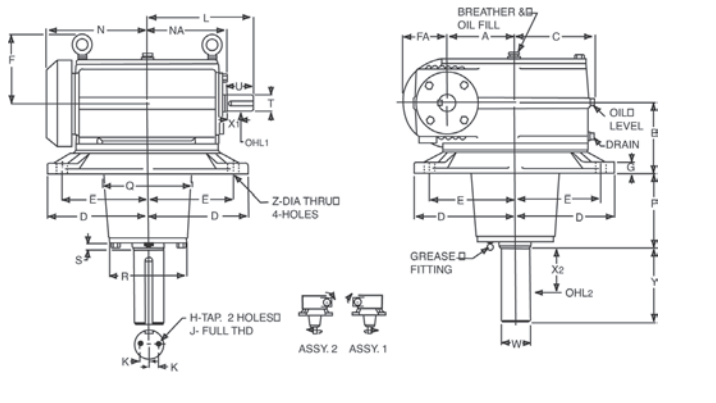
- Single, Double and Helical Worm Reductions
- 5" to 9" Center Distances
- Ratio of 5:1 to 4900:1
- Standard Drywell Construction
- Larger Bearings and Bearing Span for Increased Overhung Load Capacity
- Large Diameter Alloy Steel Output Shaft Drilled and Tapped for Conveyor Applications
- Mounting Flange Interchangeable with Conveyor Industry Standards

For Mechanical Ratings, See Catalog P-7000-DWG

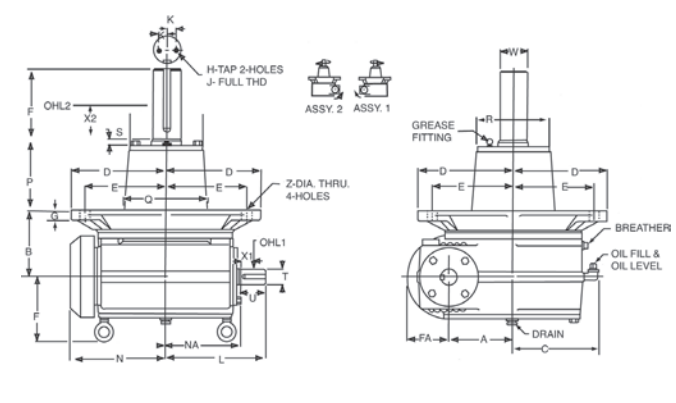
Call Our Toll-Free Application Hotline: **800-432-0121**

Single Reduction Reducers

Type VBX Output Shaft DOWN



Type VBX Output Shaft UP



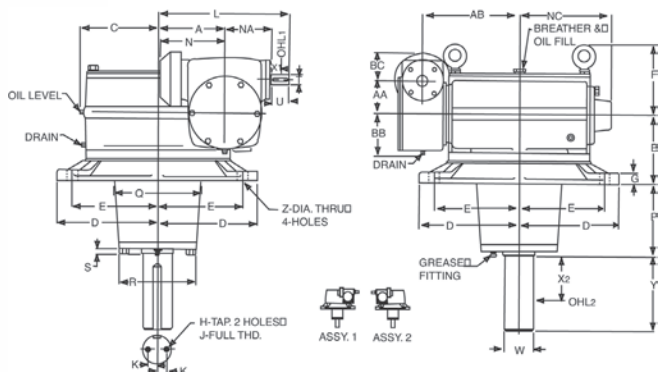
Size	OHL ₁ LBS.	OHL ₂ LBS.
VBX-50	540	3,000
VBX-60	710	5,000
VBX-70	770	10,000
VBX-90	890	14,000

Size	A	B	C	D	E	F	FA	G	H-TAP	J	K	L	N	NA	P	Q	R
VBX-50	5	7	6-5/8	8	7	6-7/8	3-11/16	1-1/4	3/8-16	1	3/4	8-3/4	8-5/8	6-7/8	5	6-3/4	6-1/16
VBX-60	6	7-3/4	7-3/4	9-3/4	8-1/2	7-1/4	4-1/8	1-1/2	3/8-16	1	1	10-1/4	10-1/16	7-3/4	8	9-1/2	7-7/8
VBX-70	7	9	8-3/8	11	9-1/2	7-3/8	5-3/16	1-3/4	5/8-11	1-1/2	1-1/16	11-1/2	10-3/4	8-3/8	8	11	9-1/4
VBX-90	9	10-1/16	10-1/2	14	12	9-1/4	6-3/16	2	5/8-11	1-1/2	1-3/16	14-1/4	13-13/16	10-3/8	8-1/16	12-7/8	10

Size	S	T	U	KEYWAY	X ₁	W	Y	KEYWAY	X ₂	Z
VBX-50	3/4	1-3/8	2-5/16	15/16x5/32x2-1/4	1-5/32	2.187	5-1/2	1/2x1/4x5-3/8	3-15/16	13/16
VBX-60	11/16	1-1/2	2-11/16	3/8x3/16x2-5/8	1-11/32	2.937	7-1/2	3/4x3/8x6-3/8	5	15/16
VBX-70	5/8	1-5/8	3-1/8	3/8x3/16x3-1/16	1-9/16	3.437	7-1/2	7/8x7/16x6-7/16	5	1-1/8
VBX-90	11/16	2-1/8	3-15/16	1/2x1/4x3-7/8	1-31/32	3.937	7-1/2	1x1/2x6-1/2	5	1-5/16

Double Reduction Reducers

DOUBLE-WORM Type DVBX Output Shaft DOWN

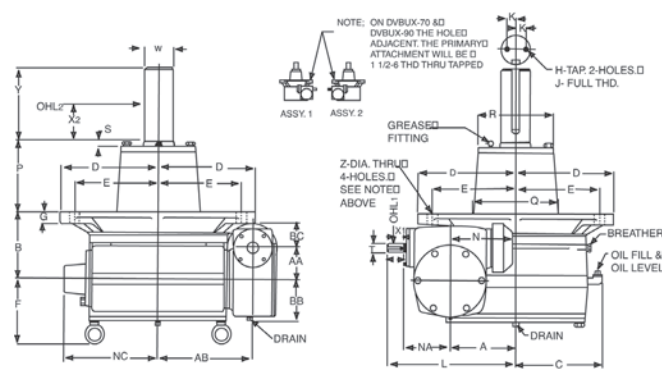


Size	OHL ₁ LBS.	OHL ₂ LBS.
DVBX-50	180	3,000
DVBX-60	240	5,000
DVBX-70	300	10,000
DVBX-90	540	14,000

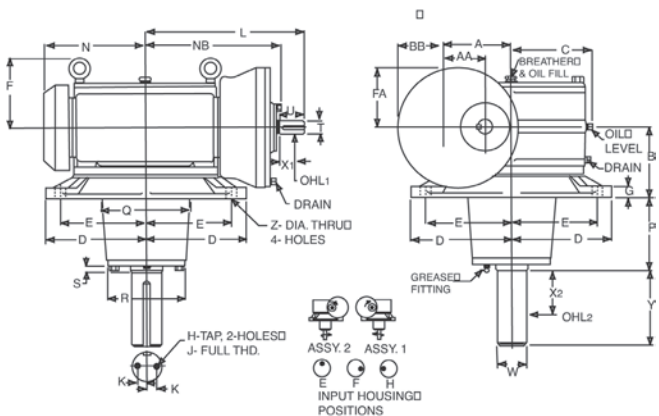
Size	A	AA	AB	B	BB	BC	C	D	E	F	G	H-TAP	J	K	L	N	NA
DVBX-50	5	2-1/2	7-7/8	7	3-5/8	2-1/8	6-5/8	8	7	6-7/8	1-1/4	3/8-16	1	3/4	10-3/8	5-1/16	3-5/8
DVBX-60	6	3	9-1/2	7-3/4	4-3/8	2-9/16	7-3/4	9-3/4	8-1/2	7-1/4	1-1/2	3/8-16	1	1	12-1/8	5-7/8	4-3/16
DVBX-70	7	3-1/2	10-3/8	9	4-3/4	2-9/16	8-3/8	11	9-1/2	7-3/8	1-3/4	5/8-11	1-1/2	1-1/16	14	6-9/16	5
DVBX-90	9	5	13-1/8	10-1/16	6-1/8	3-11/16	10-1/2	14	12	9-1/4	2	5/8-11	1-1/2	1-3/16	17-3/4	8-9/16	6-7/16

Size	NC	P	Q	R	S	T	U	KEYWAY	X ₁	W	Y	KEYWAY	X ₂	Z
DVBX-50	8-3/16	5	6-3/4	6-1/16	3/4	11/16	1-3/4	3/16x3/32x1-11/16	7/8	2.187	5-1/2	1/2x1/4x5-3/8	3-15/16	13/16
DVBX-60	9-9/16	8	9-1/2	7-7/8	11/16	7/8	1-7/8	3/16x3/32x1-13/16	15/16	2.937	7-1/2	3/4x3/8x6-3/8	5	15/16
DVBX-70	10-3/16	8	11	9-1/4	5/8	1	2	1/4x1/8x1-15/16	1	3.437	7-1/2	7/8x7/16x6-7/16	5	1-1/8
DVBX-90	13-3/8	8-1/16	12-7/8	10	11/16	1-3/8	2-5/16	5/16x5/32x2-1/4	1-5/32	3.937	7-1/2	1x1/2x6-1/2	5	1-5/16

DOUBLE-WORM Type DVBOX Output Shaft UP



HELICAL-WORM Type HVBX Output Shaft DOWN

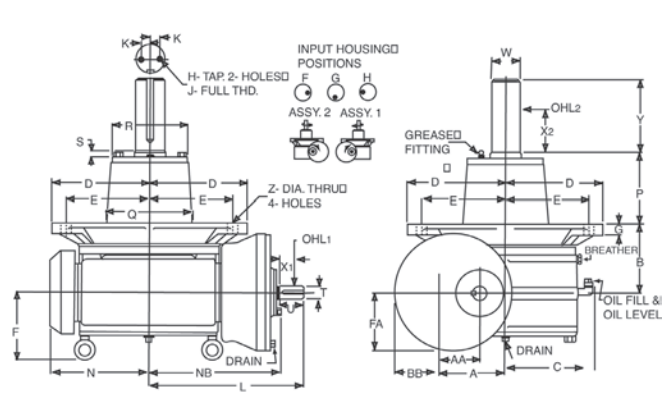


Size	OHL ₁ LBS.	OHL ₂ LBS.
HVBX-50	125	3,000
HVBX-60	190	5,000
HVBX-70	225	10,000
HVBX-90	550	14,000

Size	A	AA	B	BB	C	D	E	F	FA	G	H-TAP	J	K	L	N	NB	P
HVBX-50	5	3-1/2	7	3-15/16	6-5/8	8	7	6-7/8	5-1/16	1-1/4	3/8-16	1	3/4	12-5/8	8-5/8	10-3/8	5
HVBX-60	6	4	7-3/4	4-1/2	7-3/4	9-3/4	8-1/2	7-1/4	5-7/8	1-1/2	3/8-16	1	1	14-3/4	10-1/16	12-1/4	8
HVBX-70	7	4-1/2	9	5	8-3/8	11	9-1/2	7-3/8	6-1/2	1-3/4	5/8-11	1-1/2	1-1/16	16-3/8	10-3/4	13-5/8	8
HVBX-90	9	5	10-1/16	5-15/16	10-1/2	14	12	9-1/4	7-13/16	2	5/8-11	1-1/2	1-3/16	20-1/8	13-13/16	16-11/16	8-1/16

Size	Q	R	S	T	U	KEYWAY	X ₁	W	Y	KEYWAY	X ₂	Z
HVBX-50	6-3/4	6-1/16	3/4	1-1/8	2-1/4	1/4x1/8x2-3/16	1-1/8	2.187	5-1/2	1/2x1/4x5-3/8	3-15/16	13/16
HVBX-60	9-1/2	7-7/8	11/16	1-1/4	2-1/2	1/4x1/8x2-7/16	1-1/4	2.937	7-1/2	3/4x3/8x6-3/8	5	15/16
HVBX-70	11	9-1/4	5/8	1-3/8	2-3/4	5/16x5/32x2-11/16	1-3/8	3.437	7-1/2	7/8x7/16x6-7/16	5	1-1/8
HVBX-90	12-7/8	10	11/16	1-3/4	3-1/2	3/8x3/16x3-7/16	1-3/4	3.937	7-1/2	1x1/2x6-1/2	5	1-5/16

HELICAL-WORM Type HVBUX Output Shaft UP



Electromagnetic Clutches and Brakes

Warner Electric

Electromagnetic Clutches and Brakes

New Hartford, CT - USA
1-800-825-6544

For application assistance:
1-800-825-9050

St Barthelemy d'Anjou, France
+33 (0) 2 41 21 24 24

Precision Electric Coils and Electromagnetic Clutches and Brakes

Columbia City, IN - USA
1-260-244-6183

Matrix International

Electromagnetic Clutches and Brakes, Pressure Operated Clutches and Brakes

Brechin, Scotland
+44 (0) 1356 602000

New Hartford, CT - USA
1-800-825-6544

Inertia Dynamics

Spring Set Brakes; Power On and Wrap Spring Clutch/Brakes

New Hartford, CT - USA
1-800-800-6445

Linear Products

Warner Linear

Linear Actuators
Belvidere, IL - USA
1-800-825-6544

For application assistance:
1-800-825-9050

St Barthelemy d'Anjou, France
+33 (0) 2 41 21 24 24

Couplings

Ameridrives Couplings

Mill Spindles, Ameriflex, Ameridisc

Erie, PA - USA
1-814-480-5000

Gear Couplings

San Marcos, TX - USA
1-800-458-0887

Bibby Transmissions

Disc, Gear, Grid Couplings, Overload Clutches

Dewsbury, England
+44 (0) 1924 460801

Boksburg, South Africa
+27 11 918 4270

TB Wood's

Elastomeric Couplings

Chambersburg, PA - USA
1-888-829-6637 – Press #5

For application assistance:
1-888-829-6637 – Press #7

General Purpose Disc Couplings

San Marcos, TX - USA
1-888-449-9439

Ameridrives Power Transmission

Universal Joints, Drive Shafts, Mill Gear Couplings

Green Bay, WI - USA
1-920-593-2444

Huco Dynatork

Precision Couplings and Air Motors

Hertford, England
+44 (0) 1992 501900

Charlotte, NC - USA
1-800-825-6544

Heavy Duty Clutches and Brakes

Wichita Clutch

Pneumatic Clutches and Brakes

Wichita Falls, TX - USA
1-800-964-3262

Bedford, England
+44 (0) 1234 350311

Twiflex Limited

Caliper Brakes and Thrusters

Twickenham, England
+44 (0) 20 8894 1161

Industrial Clutch

Pneumatic and Oil Immersed Clutches and Brakes

Waukesha, WI - USA
1-262-547-3357

Gearing

Boston Gear

Enclosed and Open Gearing, Electrical and Mechanical P.T. Components

Charlotte, NC - USA
1-800-825-6544

For application assistance:
1-800-816-5608

Bauer Gear Motor

Gearred Motors

Esslingen, Germany
+49 (711) 3518-0

Nuttall Gear and Delroyd Worm Gear

Worm Gear and Helical Speed Reducers

Niagara Falls, NY - USA
1-716-298-4100

Overrunning Clutches

Formsprag Clutch

Overrunning Clutches and Holdbacks

Warren, MI - USA
1-800-348-0881 – Press #1

For application assistance:
1-800-348-0881 – Press #2

Marland Clutch

Roller Ramp and Sprag Type Overrunning Clutches and Backstops

South Beloit, IL - USA
1-800-216-3515

Stieber Clutch

Overrunning Clutches and Holdbacks

Heidelberg, Germany
+49 (0) 6221 30 47 0

Belted Drives and Sheaves

TB Wood's

Belted Drives

Chambersburg, PA - USA
1-888-829-6637 – Press #5

For application assistance:
1-888-829-6637 – Press #7

Engineered Bearing Assemblies

Kilian Manufacturing

Engineered Bearing Assemblies

Syracuse, NY - USA
1-315-432-0700

For information concerning our sales offices in Asia Pacific check our website
www.altramotion.com.cn



www.delroyd.com

2221 Niagra Falls Boulevard
Niagra Falls, NY 14302 - USA
716-298-4100
Fax: 716-298-4101